

# Invikta Series

Invikta is a simple yet reliable series of micro-processor based solenoid dosing pumps.

Ideal applications are: OEMs, Swimming Pools, Car Wash, Cooling Towers, RO Systems and many other applications.

**KCL** Costant dosage

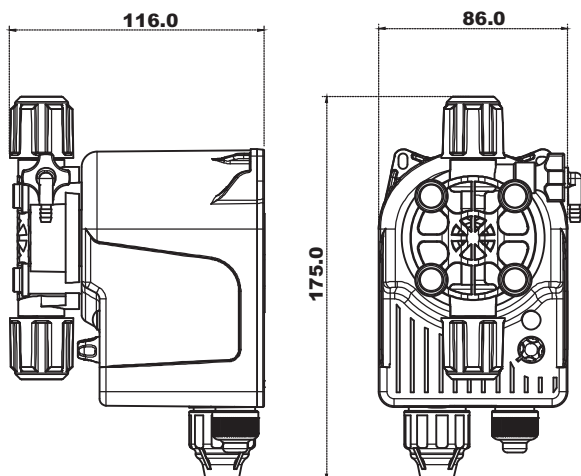
Analog dosing pump with costant flow rate, manually adjustable by control dial on the front panel, with level control input. Power-ON led indicator.



## Technical specifications

Liquid end material				Model	635		
Head Type	VF	VE	HF	Pressure [bar]	7	5	2
Body Pump	PVC		PVDF	Flow rate [l/h]	3	5	6
Balls	Ceramic			Stroke/min	140		
Seals	FPM	EPDM	FPM	cc/stroke	0.36	0.60	0.71
Diaphragm	PTFE			Ø Connections IN / OUT [mm]	4 / 6		
				Power Consumption	15 W		
				Weight [Kg]	2,4		
				Wooden box size (LxWxH) [mm]	285x185x180		

### DIMENSIONAL DRAWINGS



### Installation Kit



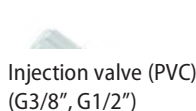
Wall-mounted bracket



PVC Suction tube



PE Delivery tube



Injection valve (PVC)  
(G3/8", G1/2")



Foot valve (PVC)

Vertical mounting bracket

